

The urban cleaning revolution



Catalogue
Viroc



Catalogue
Viroc

Viroc.

When size matters.

Ultimate Flexibility.
Anytime, anywhere.



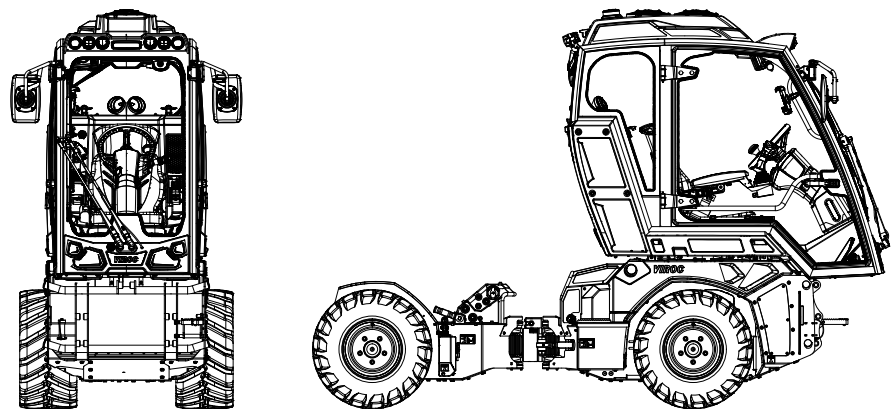
INDEX

Plus	10
Facts & figures	18
Accessory	24
Other manufacturers	38
Company	47
Products	55

Viroc marks the beginning of a **new era in multifunctional urban maintenance**. This tool carrier is designed to handle a wide range of tasks: whether it's cleaning streets, clearing snow, or maintaining parks and green spaces, Viroc is the perfect solution.

Viroc delivers a truly unique user experience where the efficiency of patented systems meets remarkable agility and ease of operation. This machine is a genuine revolution in the offroad sector, made possible by WM technics' combined expertise and innovative spirit.

The innovation starts with the cutting-edge cabin, extends through the flexible system for attaching various accessory units, and culminates in a frame designed for smooth movement over challenging terrain and within urban settings. The multifunction joystick gives you comfortable and intuitive control.



Off-road & urban setting

Easy & intuitive control

Unique usability



The efficiency
that moves the city.

Amid the hustle and bustle of city life, Viroc by WM technics is the unseen hero of the streets. Already hard at work, it handles every task with remarkable agility and precision, keeping streets clean and clear, and parks well-maintained. With its intuitive control and compact design, it's the perfect tool for those who turn the urban environment into a neat and welcoming space, day after day.

Plus

Multifunctional

Viroc redefines multifunctionality. Thanks to its three mounting areas, you can attach accessory units of any kind from any manufacturer in no time – at both the front and rear – enabling you to perform several operations simultaneously.

Save time for the tasks that matter most and let Viroc handle the rest.



Simple accessory mounting

Two accessory units at once for
max. productivity

Engineered for fast unit swaps

One machine. Every job. All year round. From snow clearing and embankment maintenance to salting and everyday street cleaning – with Viroc Urban, you have a versatile and reliable partner for maintaining urban areas and green spaces throughout the year.

∞

No limits

Whether it's accessory units from WM technics or other manufacturers, all can be used with Viroc without any restrictions, allowing you to integrate your existing equipment seamlessly.

2

Multitasking

Front and rear accessory units combine for true multitasking. Viroc allows you to operate two accessory units at once, optimizing your time and reducing costs.

<5'

Quick change

At WM technics, user-friendliness is a core principle, also when it comes to switching accessory units. Thanks to the unique design, you can swap them out in under 5 minutes.



Linkage



Loader bucket



Spreader



Front linkage



Snow plough



Implement mast



Flail mower



Road broom



Dumper skip



Snow blower

Plus

Driver's station

Versatility at its finest: The **innovative cabin** enables operation in all conditions, throughout the year, in both driving directions, and with numerous accessory units.

Viroc's driver's station is a true highlight: The cabin frame is made entirely of high-strength aluminum. The cabin is ROPS-certified and can rotate 180°. These features, and many more, make Viroc one of a kind in its class.



Cabin in driving direction 1



Elevated cabin



Cabin rotation



Cabin locking



Cabin in driving direction 2



180° rotatable cabin

In addition to its high-strength aluminum frame, ROPS certification, low center of gravity, and high safety standards, the cabin has another unique feature: It can be lifted by a hydraulic pump and be rotated 180°. Furthermore, it is decoupled from the frame by four silent blocks for noise and vibration reduction.



Visibility

Due to Viroc's compact build, the driver's station provides outstanding visibility of the attached accessory units, allowing high precision at work. A 110 cm glass door on the side ensures easy access to the driver's seat. At your request, a rear-mounted video camera can be installed for enhanced workflow monitoring.



Multifunction joystick

The ergonomic joystick on the right armrest of the driver's seat enables onehanded control of all functions, ensuring you always maintain control of the engine, drive, and accessory units!



Touchscreen monitor

The high-quality 7-inch display clearly visualizes all relevant operating data. Additionally, functions can be controlled, and operating parameters can be individually adjusted via touch commands.



Air-cushioned seat

Comfortable seating is essential for extended workdays. For this reason, we've equipped Viroc with an ergonomic seat from the premium brand GRAMMER, ensuring maximum comfort during operation.



Protection

To protect you from external pollutants, Viroc is equipped with a Category 4 pressurized cab. Category 4 currently represents the highest protection class, ensuring the best possible operator safety against dust, aerosols, and vapors. The activated carbon filter is designed for easy maintenance and can be replaced with just a few simple steps.



Lighting

Viroc offers a wide range of lighting systems to support your daily work and provides maximum visibility at all times.



Adjustable steering wheel

The steering wheel is adjustable in both height and tilt, enabling the operator to find the most ergonomic position possible.

Plus

Tires

A **diverse selection** of tires ensures Viroc is equipped for a wide variety of uses.



185/65 – 15
Width Viroc 90 cm



185/65 – 15
Width Viroc 100 cm



27 x 10.50 – 15
Width Viroc 105 cm



26 x 12.00 – 12
Width Viroc 115 cm

Facts & figures



Viroc VR60

Engine	Diesel Hatz 3H50TICD
Exhaust emission standard	Stage V
No. of cylinders	3
Performance / rpm	43.7 kW (60 hp) / 2,250 rpm
Displacement	1,464 cm ³
Reversible Cleanfix fan	Standard
Standard traction	20 km/h – 13,300 N
Traction (High Torque)	14 km/h – 20,000 N
Standard ground clearance	90 cm: 150 mm 100 cm: 150 mm 105 cm: 175 mm 115 cm: 155 mm
Ground clearance (High Lift)	90 cm: 215 mm 100 cm: 215 mm 105 cm: 240 mm 115 cm: 220 mm



Viroc VR80

Engine	Diesel Hatz 4H50TICD
Exhaust emission standard	Stage V
No. of cylinders	4
Performance / rpm	55.4 kW (75 hp) / 2,250 rpm
Displacement	1,967 cm ³
Reversible Cleanfix fan	Standard
Standard traction	20 km/h – 13,300 N
Traction (High Torque)	14 km/h – 20,000 N
Standard ground clearance	90 cm: 150 mm 100 cm: 150 mm 105 cm: 175 mm 115 cm: 155 mm
Ground clearance (High Lift)	90 cm: 215 mm 100 cm: 215 mm 105 cm: 240 mm 115 cm: 220 mm

General

Drive	Stepless, hydraulic all-wheel drive (0 - 20 km/h) with electronic speed control
Axes	Hydraulic single-wheel drive
Frame	CDC and powder coated high-strength steel frame
Differential lock	Powershift hydraulic differential lock
Steering	Double articulation ($\pm 82^\circ$)
Central joint lock	Central location with patented joint lock system and sensor-controlled wheel monitoring
Service brake	Hydrostatic
Parking brake	Hydraulically controlled negative brakes on all 4 wheels, integrated in the end drives
PTO 1	Can be regulated hydraulically via piston pump in both directions 350 bar from 0 to 83 litres
PTO 2	Can be regulated hydraulically via piston pump in both directions 250 bar from 0 to 40 litres
Working hydraulics 1	Gear pumps max. 13.5 litres and 180 bar, electrohydraulic proportional valves
Working hydraulics 2	Gear pumps max. 13.5 litres and 180 bar, electrohydraulic proportional valves
Instruments	7" color display with touch function, illuminated keypad with 6 keys
Driver's station	ROPS-tested aluminum Driver's cab; 180° rotatable; steering column adjustable in height and angle; 1 multifunction joystick for operation.
Hand-arm vibrations	< 2.5 m/s ²
Whole-body vibrations	< 0.5 m/s ²
Electric system	12V 60Ah, light system 110A, CAN-BUS and 30 electrical outputs/inputs for accessory units
Fuel tank	36 l
Hydraulic system	40 l of type HVLP 46
Operating temperatures	from -15 °C to +40 °C

Tires

Overall width 90 cm	185/65 - 15 4PR
Overall width 100 cm	185/65 - 15 4PR
Overall width 105 cm	27 x 10.5 - 15 8PR
Overall width 115 cm	26 x 12.00 - 12 8PR

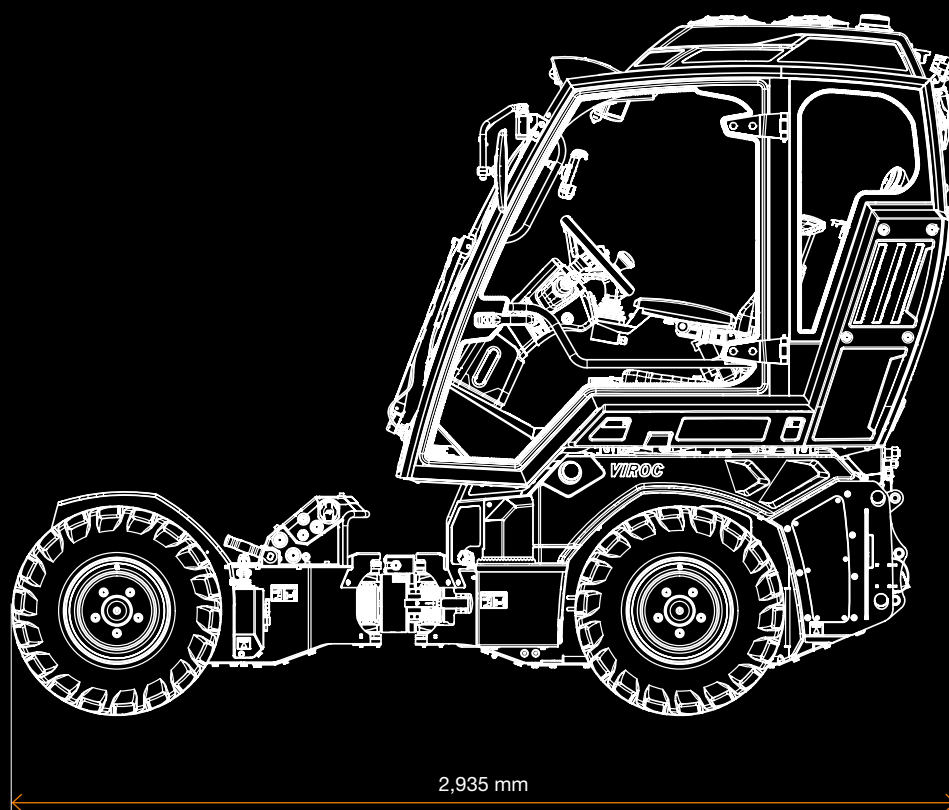
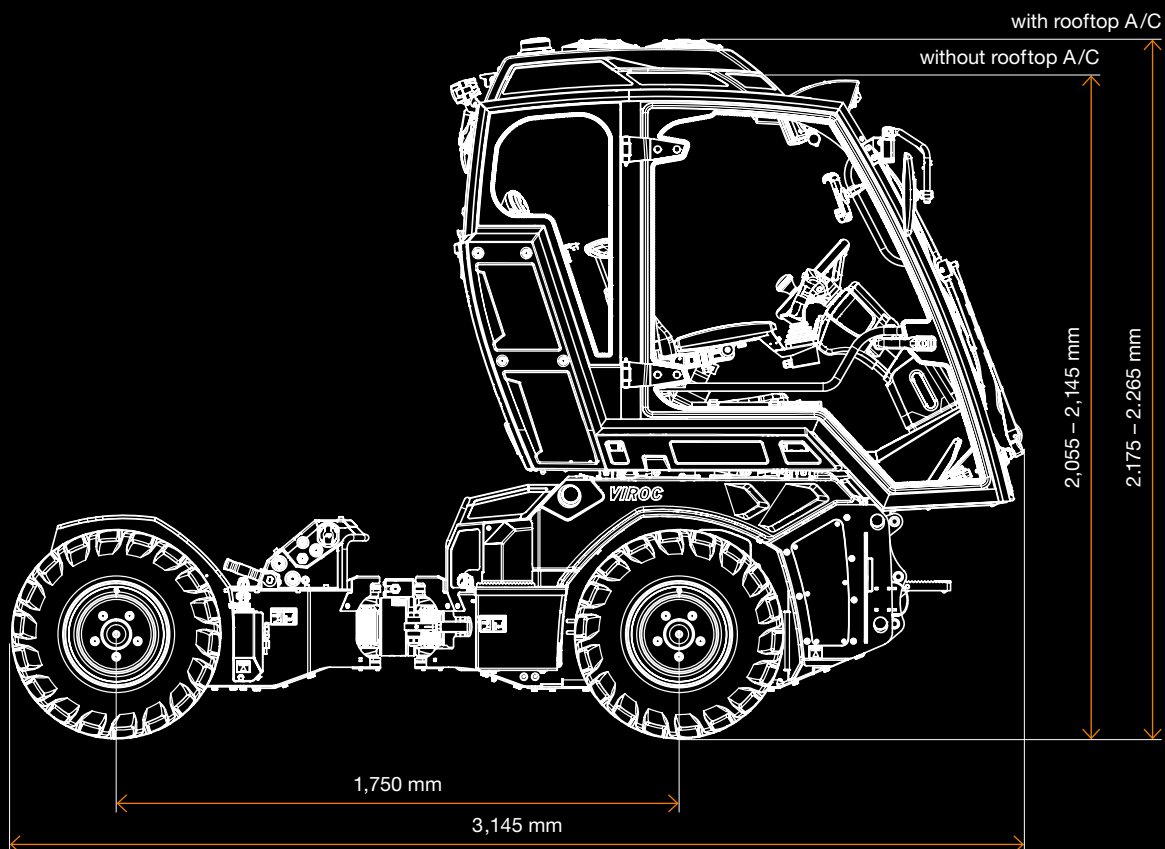
Weight & dimensions

Weight	Basic machine 1,270 kg
Perm. total weight	2,450 kg
Overall length	Driving direction forwards: 3,145 mm
Overall length	Driving direction backwards: 2,935 mm
Height	2,055 – 2,265 mm
Center distance	1,750 mm

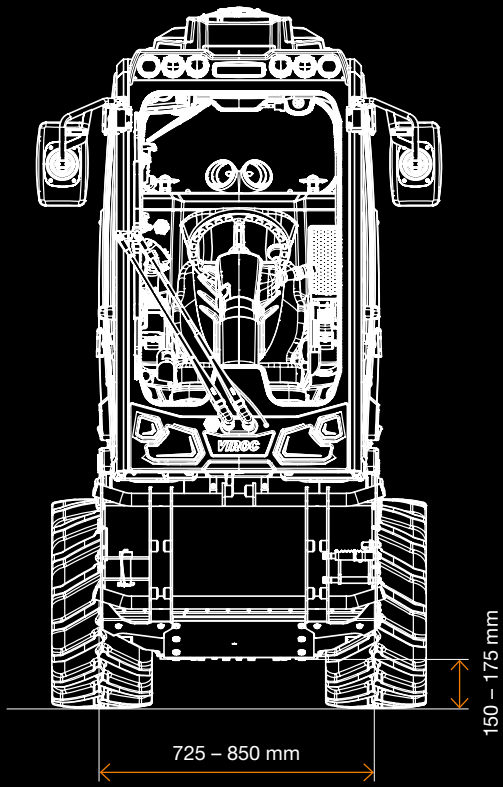
Turning radius

Total width 90 cm	Inner turning radius 585 mm Outer turning radius 1,735 mm Outer track radius 1,410 mm
Total width 100 cm	Inner turning radius 550 mm Outer turning radius 1,735 mm Outer track radius 1,450 mm
Total width 105 cm	Inner turning radius 510 mm Outer turning radius 1,735 mm Outer track radius 1,450 mm
Total width 115 cm	Inner turning radius 460 mm Outer turning radius 1,735 mm Outer track radius 1,475 mm

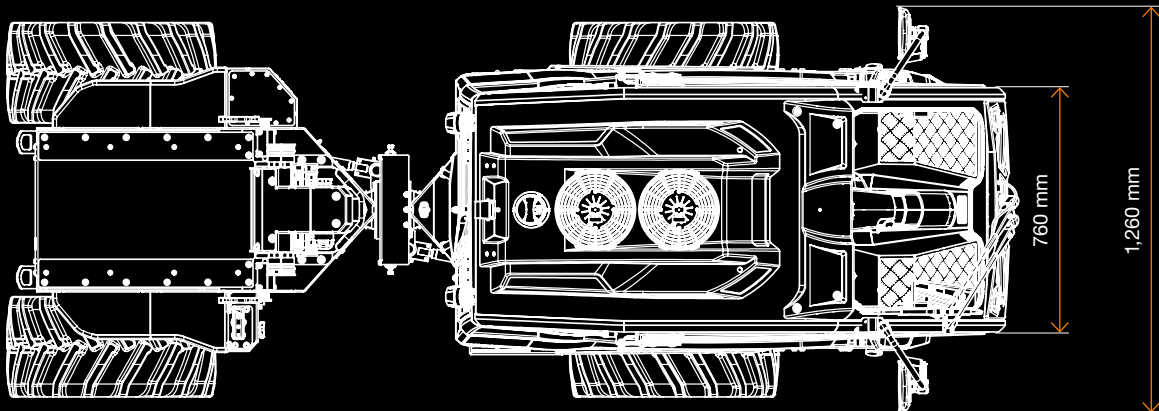
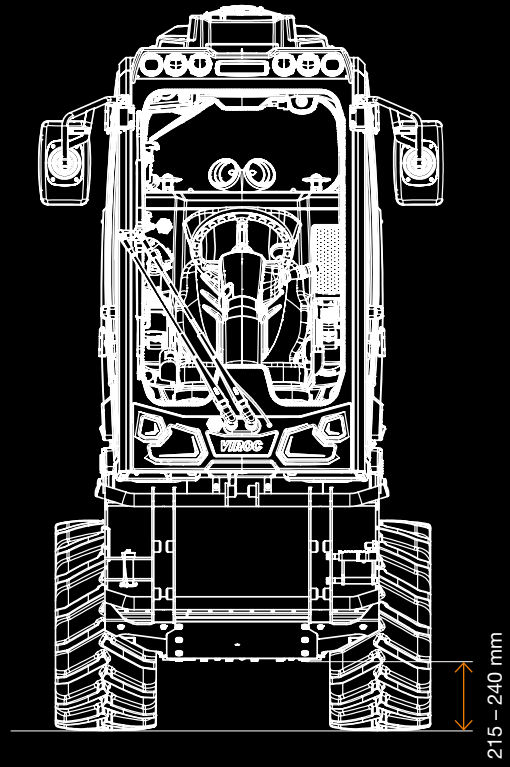
Dimensions



Standard



High Lift

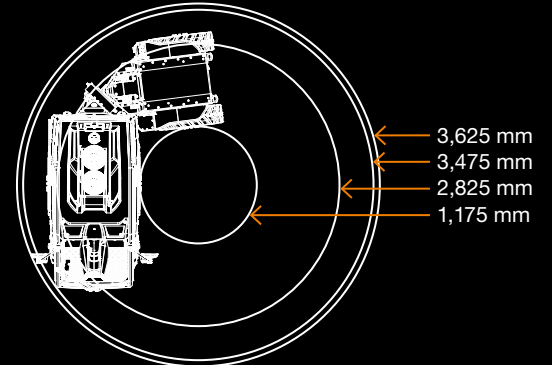
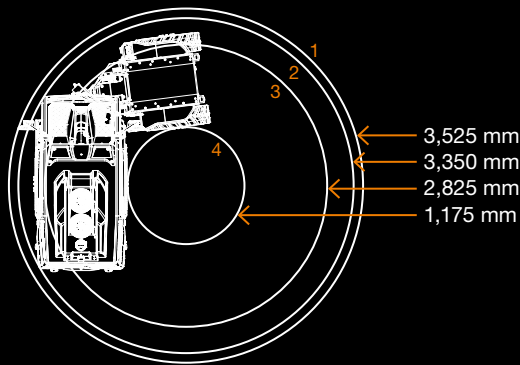


Turning circle

185/65 – 15

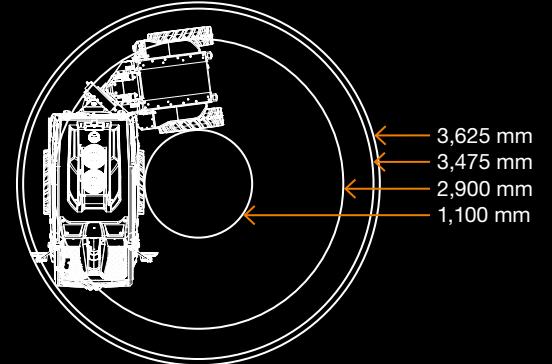
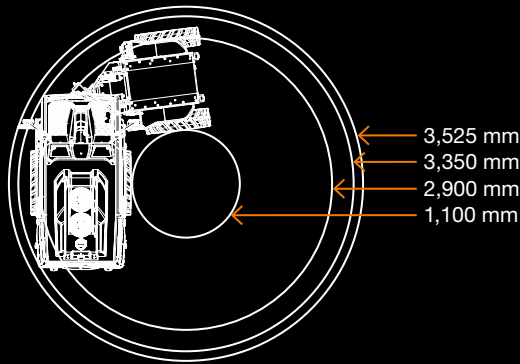
Width Viroc 90 cm

- 1 mirrors unfolded
- 2 mirrors folded
- 3 track width
- 4 inner turning circle



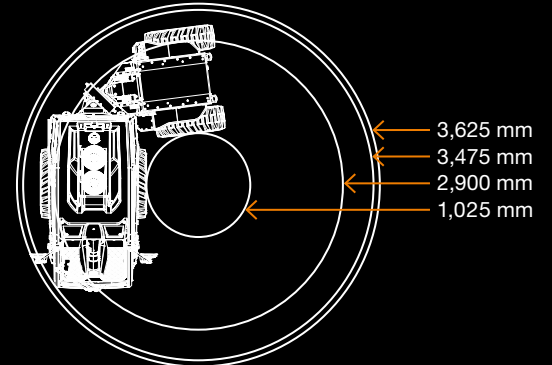
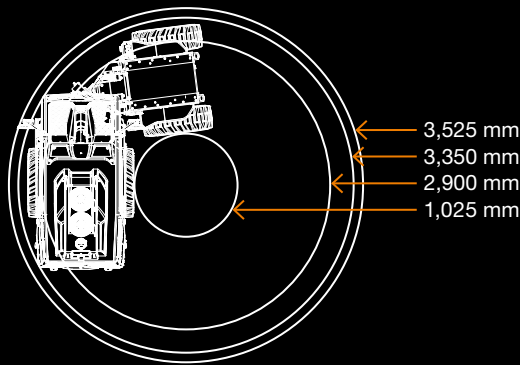
185/65 – 15

Width Viroc 100 cm



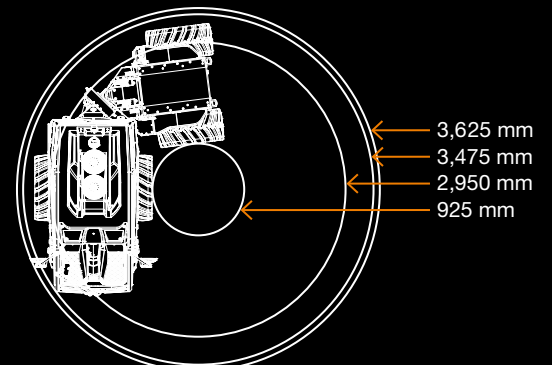
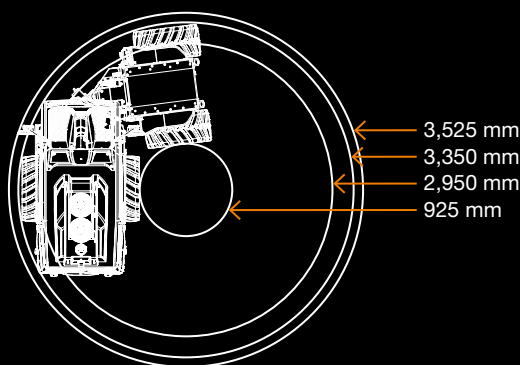
27 x 10.50 – 15

Width Viroc 105 cm



26 x 12.00 – 12

Width Viroc 115 cm



Standard equipment operator environment



14-pin cable
feed-through with
front and rear
ports



Windscreen and
mirror heating



Seat heating



Left armrest



DAB radio with
hands-free system,
Bluetooth & AUX
input



Smartphone holder
with USB charging
port



Rear camera



Switchable 12V
socket according
to DIN 9680



Door block



Front & rear
work lights



Lighting
for road traffic



High beam

Linkage

With Viroc, you can use third-party accessory units that you already own. The three-point linkage offers a lifting capacity of 1,000 kg at the hooks, providing optimal multifunctionality.



Technical data

Three-point linkage	Cat. 2S ISO 730-1
Minimum lifting capacity at the attachment points	1,000 kg
Recommended max. weight of the accessory	ca. 700 kg
Optional	<ul style="list-style-type: none">• Hydraulic top link• Valve block for 5 free cylinder movements with a maximum of 180 bar & 13,5 l/min
Mounting frame with three-point linkage	<ul style="list-style-type: none">• Cat. 2S Ø 22• Cat. 2S Ø 28• Fendt Ø 22

Configuration



Linkage with hydraulic block



Three-point mounting frame Cat. 1



Three-point mounting frame Cat. 1, pivotable (15°) and with side shift



Hydraulic top link



Hydraulic implement unloading system



Double-acting hydraulics (1-2-3-4)



Buttons for external operation



Quick-release hooks for linkage Cat. 2S, Ø 22



Quick-release hooks for linkage Cat. 2S, Ø 28



Quick-release hooks for linkage type Fendt Ø 22



Switchable 12V socket according to DIN 9680



PTO OMT 160 cc



Parking jacks

Linkage available with

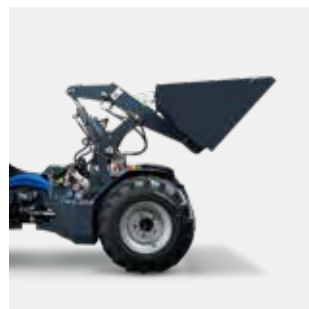


Loader bucket

Accessory

Loader bucket

With the loader bucket, transport tasks in confined spaces become nothing more than an efficient breeze.



Technical data

Width	<ul style="list-style-type: none">• 900 mm• 1,200 mm
Volumen	<ul style="list-style-type: none">• 0.16 m³• 0.21 m³



Accessory

Front linkage

Viroc guarantees top-tier versatility and productivity for every operation. The front linkage enhances multitasking capabilities, enabling you to perform two operations in one go.



3,370 mm

Technical data

Lifting capacity at the attachment point	650 kg
Recommended max. weight of the accessory	200 - 300 kg with minimal overhang & appropriate rear counterweight
Three-point linkage	A-frame for Category 0
Optional	<ul style="list-style-type: none">• Hydraulic top link• Valve block for up to 5 independent cylinder movements with max. 180 bar & 13,5 l/min• Continuous flow



Configuration



Front linkage with Category 0 A-frame



Hydraulic power unit & 12V socket



Continuous hydraulic flow



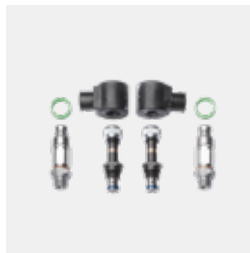
Hydraulic top link



Ports for the second gear pump



Ports for the PTO



Double-acting hydraulics (1-2-3-4)





Accessory

Implement mast

Much of Viroc's exceptional versatility comes from its implement mast. It allows you to mount a wide range of attachments – from WM technics as well as third-party manufacturers. The attachments can also be positioned exactly as required for each task. This means versatility isn't just a practical feature – it becomes a real advantage in your day-to-day work.



Technical data

Stroke length of the main telescope	600 mm
Tilt angle of the main telescope	± 25°
Tilt angle of the swivel system	± 120°
Stroke length of the 2 nd telescope	500 mm
Weight	155 kg

Configuration



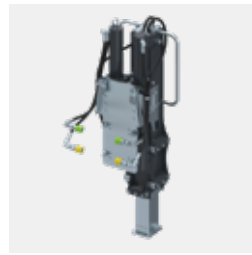
Implement mast with hydraulic block unit & additional hydraulic functions



Swivel system with 500 mm telescope



Quick rotation system (180°)



Quick-release system for the telescope



Parking jacks

Available with flail mower



Mower model SM80 with a working width of 80 cm



Mower model SM90 with a working width of 90 cm



Hydraulic shoot remover
(on request: individually controllable brush)



Parking jacks

Accessory

Flail mower SM

One of the most effective setups combines the implement mast with the flail mower. Together, they form a highly adaptable solution that handles tall grass, overgrown embankments, and vegetation-covered traffic islands with ease. Whether you're mulching at ground level or trimming vertically along roadsides, you can rely on consistently precise and efficient performance.



Technical data

Operating width	800 mm or 900 mm
Working rpm	2,000 - 3,000 rpm
Hydraulic system for flail mower axle	min. 35 l/min at 250 bar
Necessary hydraulics for cylinder movement	min. 10 l/min at 130 bar
Weight	450 kg



Accessory

Dumper skip DPK 540

The Dumper skip ensures safe transport of bulk materials thanks to its large capacity.



← 3,320 mm →

Technical data

Width	800 mm
Length	1,100 mm
Panel height	730 mm
Weight	192 kg
Load capacity	540 l



Configuration



Dumper skip



Tilting device with hydraulic actuation



Rear lights for road traffic



Parking jacks

Accessory | Other manufacturers





Accessory | Other manufacturers





Accessory | Other manufacturers





On the tool carrier (1)



Flail mower SM



Spreader



Dumper skip
DPK540



Rear mounting area (2)



Loader
bucket



Shears
lawnmower



Snow
blower

Front mounting area (3)



Shears
lawnmower



Road
broom



Snow
plough

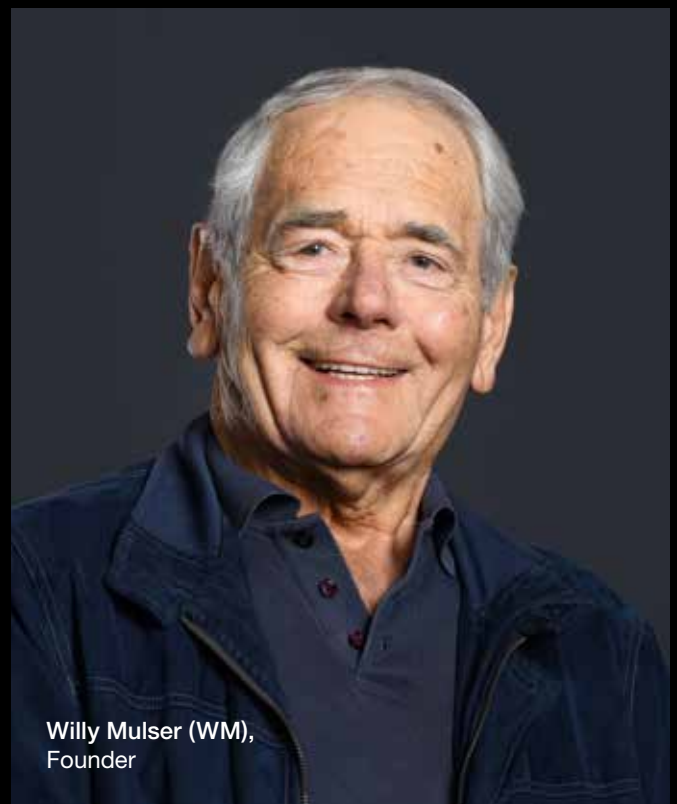
COMPANY

Young, dynamic, and innovative:
At WM technics, progress is our
top priority – both for us and for
our customers.

Since 1986, WM technics has been developing and manufacturing **high-quality machinery** for agriculture, urban applications, and ice resurfacing. Our innovative models stand out with advanced technology, ease of use, certified safety concepts, and modern design.



Ice resurfacing machine **WM 2300**
Year of construction 1986



Willy Mulser (WM),
Founder

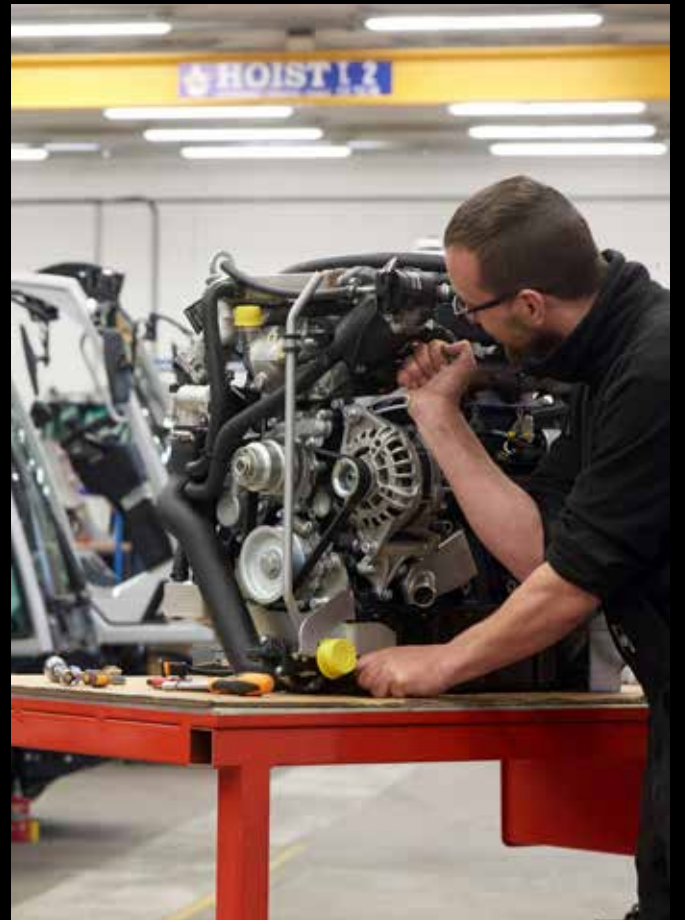
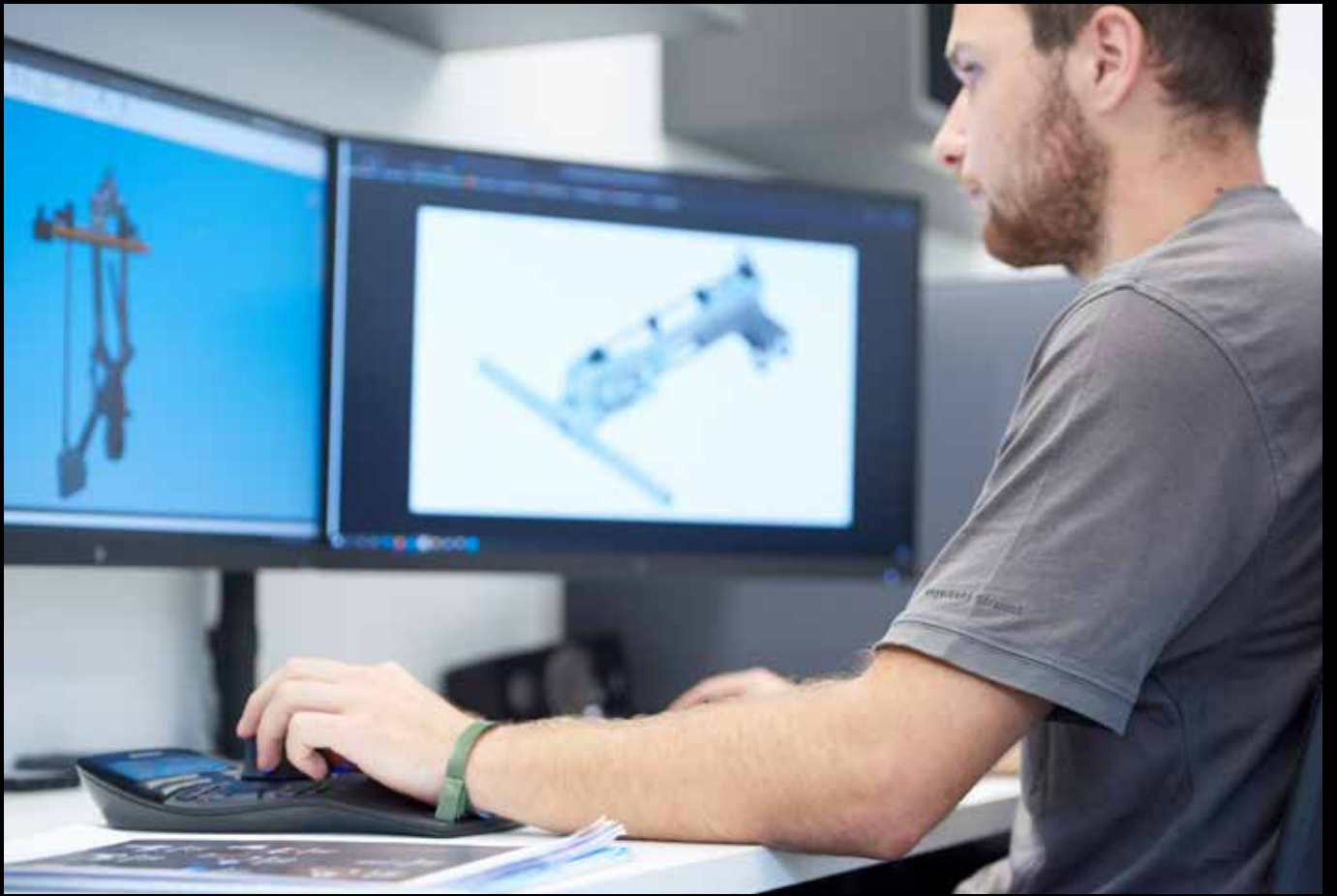
What we offer

From roads and streets to the most rugged terrain, WM technics provides the ideal solution for any challenge you face. Our unwavering commitment to product excellence is setting new industry benchmarks, making us a top player on the global stage. Powered

by advanced digital know-how, our design, parts production, and machine assembly are all conducted at our plant in South Tyrol, Italy – guaranteeing absolute premium quality. Bespoke solutions, reduced maintenance needs, and reliable support make WM technics your strong, customer-centric ally.



Markus
Developer





Advanced innovative power

We approach research and experimentation with meticulous care, always prioritizing networking. Our employees' competence and decades of experience in development, production, and assembly come together in perfect synergy.



Certified safety

Our top priority is safety and health in the workplace; that's why our tool carriers are designed and built to be user-friendly, based on a solid safety concept.



Focus & user centricity

With self-motivation at our core, we independently design tool carriers for agricultural and urban use. Our approach remains customer-centric and with a constant focus on the complete value chain.



Precise production

Every turning and milling component is produced with utmost precision in our facility. We procure standard parts solely from renowned suppliers. Never forgetting about its function and each little detail, each component is carefully crafted.



Efficient assembly

Thanks to tightly organized processes, WM technics manufactures tool carriers in record time. Every step is documented in detail and maintained with transparency. The assembly is performed with precision and accountability, reducing regular as well as unexpected maintenance needs.



It's all about quality

WM technics represents innovative tool carriers that redefine standards in efficiency, reliability, and ease of use. Serial production and in-house manufacturing guarantee seamless oversight of all manufacturing processes and components.



Future-focused sustainability

Our tool carriers are built to last: Starting from the initial sketch, we prioritize the durability of our machines and consistently keep an eye on maintenance and operating expenses. Energy efficiency, low consumption, and optimal profitability converge with the highest performance.



Service driven by dedication

As our machines are dedicated to meeting your professional needs, we nurture our relationship with customers—before, during, and after the purchase. Your specific requirements are integrated into the manufacturing process to provide tailored solutions.

At WM technics, we strive for excellence in everything we do. Our machines, led by Viroc, are the result of high-quality components and thoroughly thought-out designs. Developed, manufactured, and assembled in our facilities, we ensure the highest quality, timely deliveries, and low maintenance costs throughout their lifecycle. From individual components to the final product, every step is carefully monitored to deliver **your tool carrier of the future.**

Ease of use



Using premium components and a well-thought-out design minimizes the need for service work.

Quality guarantee



Viroc is a product designed, produced, and assembled within our facility. So we can ensure that we provide the best quality and on-time delivery.

The right replacement part at any time



On our online portal, replacement parts can be easily and conveniently ordered. You can find the desired part with just one click using the serial number and finding its digital image.

Series production



Every machine manufactured by WM technics is built in series. We keep track of the components used in each batch and can supply the appropriate spare parts whenever necessary. At the same time, different optional features can be easily added even years later.

Service & support



Our extensive international team of technicians is constantly up-to-date and will gladly assist you whenever needed.

Expertise & competence



Each step is meticulously traceable, from producing individual components to the final quality check. All team members are well-trained in their specialized roles and perform their tasks with great care. The advantage for our customers: You receive a technically sophisticated product manufactured to the highest quality expectations.




PRODUCTS

WM technics represents carefully engineered technology, precision in development, and solutions shaped around real user needs. Every machine is designed with technical rigor, a strong commitment to quality, and a drive for innovation – delivering dependable performance over the long term.

Vitrac

Diesel engine with 120 Nm of torque, increased tractive force and a top speed of up to 12 km/h: Vitrac delivers maximum power, control and efficiency for professional viticulture. You can operate even complex and demanding implements without sacrificing comfort, handling or manoeuvrability. The extended wheelbase provides noticeably greater stability and traction, while the optimized steering system with steering wheel performs reliably even in the tightest conditions. A ROPS-certified roll-over protection structure and ergonomically arranged controls ensure safety and working comfort in terraced vineyards, on extreme steep slopes and in narrow passages.






 Weight	Basic machine 875 kg / 1,929 lbs
 Performance	18.9 kW (25.7 hp) / 120 Nm at 1,400 rpm
 Steering	± 82°

Viroc Urban

With Viroc, a new era of multifunctional tool carriers for urban applications begins. You benefit from a versatile machine designed to handle a wide range of tasks with ease—from street cleaning and snow removal to the maintenance of parks and green spaces.

Its innovative design concept spans from the advanced, ergonomic cabin to a flexible system for connecting multiple implements, all the way to a chassis engineered for smooth operation on challenging terrain and in urban environments alike. The multifunction joystick ensures intuitive, comfortable, and precise control at all times.



 Weight	Basic machine 1,270 kg / 2,800 lbs
 Performance	55.4 kW (75 hp)
 Steering	± 82°




Viroc

Viroc is a highly advanced, multifunctional specialist tractor with a clear focus on the operator and their safety.

It represents a new approach to agricultural work by combining technological innovation with expertise rooted in one of Europe's most traditional wine-growing regions, shaped by the innovative spirit of WM technics.

Developed specifically for viticulture, Viroc performs reliably on steep slopes and in confined crop environments. These characteristics have also made it suitable for use in other agricultural sectors.







 Weight	Basic machine 1,270 kg / 2,800 lbs
 Performance	55.4 kW (75 hp)
 Steering	± 82°

Mammoth

Developed specifically for use in stadiums and on large ice surfaces of up to 2,600 m², this autonomous machine combines performance with efficiency.

Maintenance-free AC motors, generously sized snow and water tanks, and a quick blade-change system ensure short resurfacing times and smooth daily operation. Thanks to its compact design and the ice edger integrated directly into the frame, the machine also delivers outstanding stability and exceptional maneuverability—even on large rinks.



 Snow tank volume	3 m ³ / compacted 3.6 m ³ 106 ft ³ / compacted 127 ft ³
 Water tank volume	1,000 l / 1,350 l / 1,750 l 264 gal / 356 gal / 462 gal + snow tank-water tank connection 2,000 l / 2,350 l / 2,750 l 528 gal / 620 gal / 726 gal
 Blade width	2,100 mm / 2,300 mm / 2,500 mm 82 5/8 in / 90 1/2 in / 98 1/2 in Blade change < 60 seconds
 Fields of operation	Pro / Ice stadiums

WM technics GmbH

Plant 1, Headquarters
Breiener Straße 15
I-39053 Blumau
T. +39 0471 353 332
info@wm-technics.com
wm-technics.com

Plant 2
Giuseppe-di-Vittorio-Straße 18
I-39100 Bozen

Follow us on

YouTube: *WM urban*
Facebook: *WM urban*
Instagram: *WM urban*
LinkedIn: *WM technics*

