

# A revolution in slope-tool carrier



Product sheet  
Vitrac



# With Vitrac, we introduce a new generation of tool carriers for viticulture designed for **terraced vineyards, steep slopes, and confined spaces.**

Vitrac combines excellent handling and flexibility, delivering a unique driving experience – even on extreme inclines. Additionally, it supports a wide range of accessory units.



Weight

Basic machine 750 kg / 1,650 lbs



Performance

18.8 kW (25.6 hp)



Steering

± 80°

“Only Vitrac is this straightforward and versatile!”

Armin & Karl Platter -  
Winemakers

Mockhof, Bozner Leitach





# Facts & figures



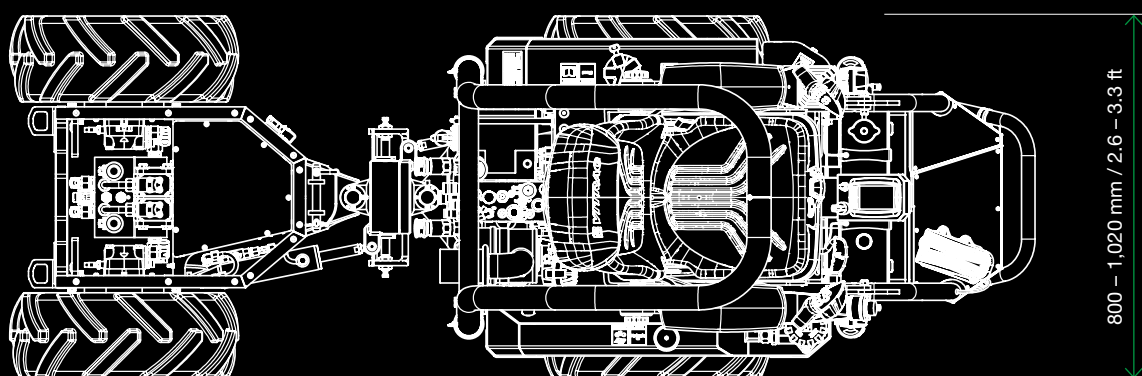
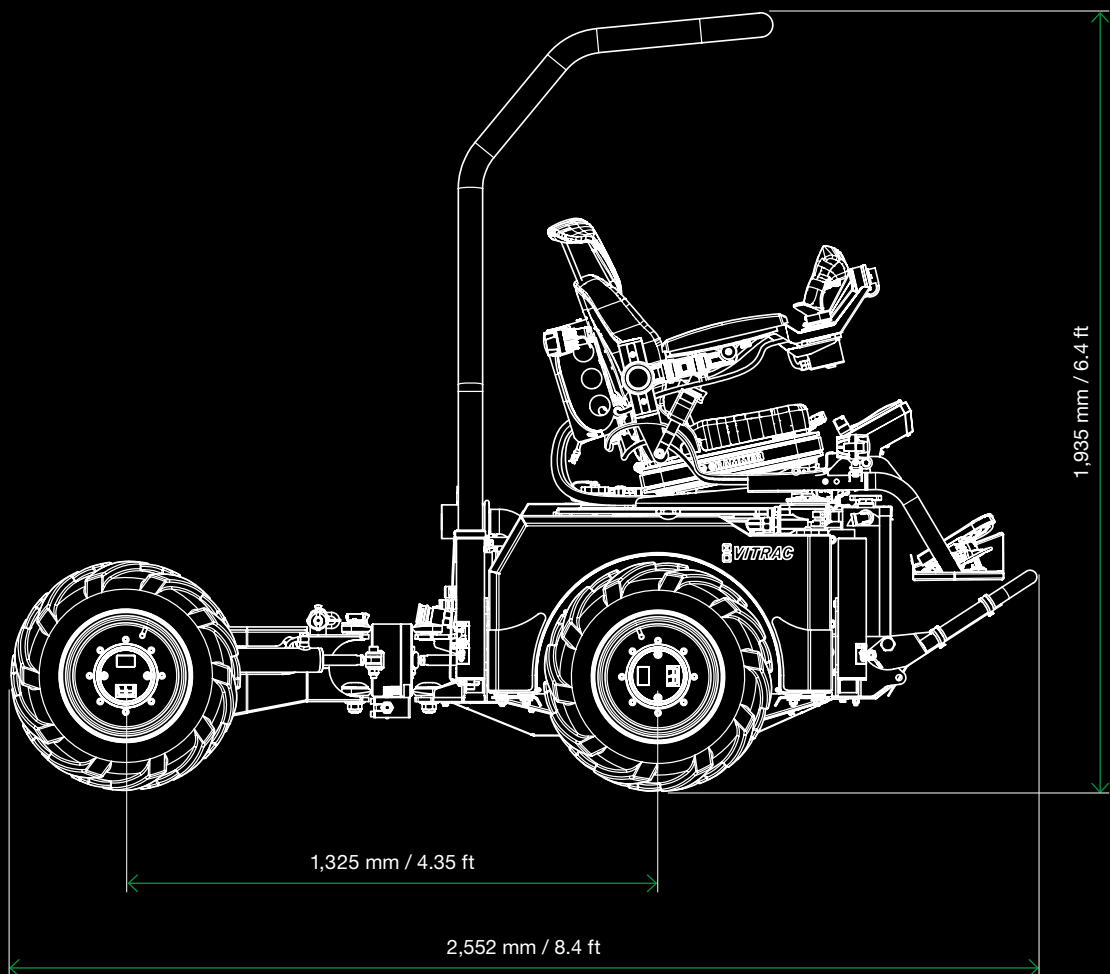
## Vitrac

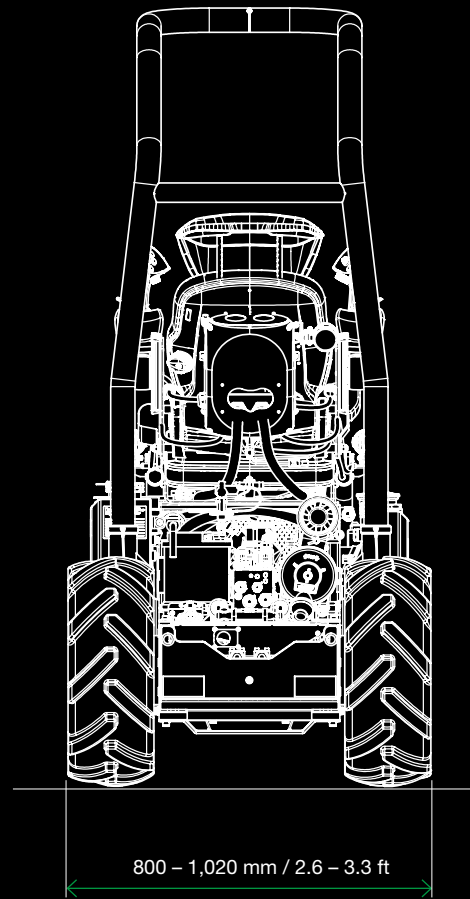
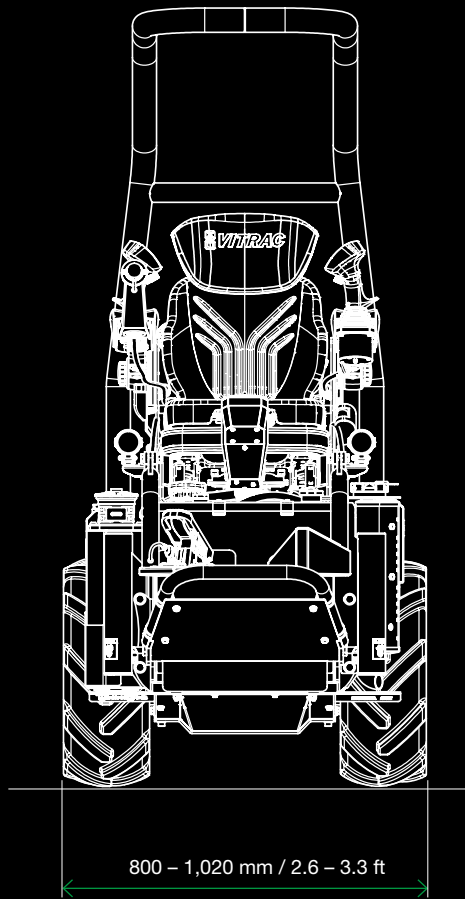
Engine	Kohler diesel engine KDW1404E525	Steering	Double articulation (+/- 80°)
Weight	Basic machine 750 kg / 1,650 lbs	Central joint lock	Central location with patented joint lock system and independent wheel monitor
Perm. total weight	1,400 kg / 3,086 lbs	Service brake	Hydrostatic
N. of cylinders	4	Parking brake	Hydraulically controlled negative brakes on all 4 wheels, integrated in the end drives
Performance / rpm	18.8 kW (25.6 hp) / 2,600 rpm	PTO	Can be regulated hydraulically via piston pump in both directions 250 bar from 0 to 46 l / 12 gal
Displacement	1,372 ccm / 83.7 in <sup>3</sup>	Working hydraulics	Gear pumps max. 12 l / 3.2 gal and 130 bar, electrohydraulic proportional valves, hydraulic accumulator
Drive	Stepless, hydraulic all-wheel drive (0.2 - 10 km/h / 0.1 - 6 mph) with electronic speed control		
Axles	Hydraulic single-wheel drive via planetary drive		
Differential lock	Powershift hydromechanical differential lock		

## General

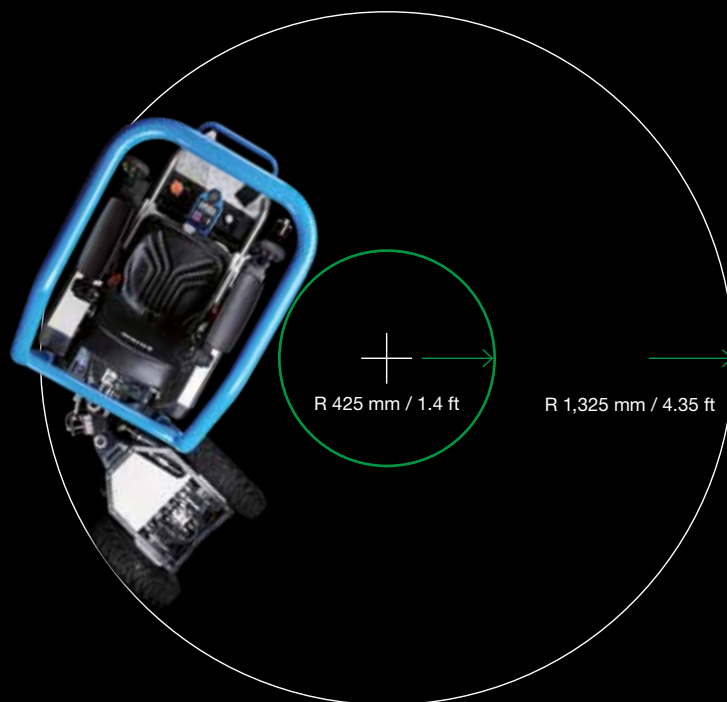
Driver's station	Supported by 4 rubber buffers, rotatable by 180°, pedal position can be set, 2 multifunction joysticks for operation	Tires	<ul style="list-style-type: none"> <li>Standard: 5.70 - 12 with 3.0 bar air pressure Width: 80 cm / 31.5 in</li> </ul>
Seat	Air-cushioned, longitudinally and height adjustable, synthetic leather cover, back height and incline adjustable, armrests: independently height, longitudinally and laterally adjustable	Optional	<ul style="list-style-type: none"> <li>23 x 8.50 - 12 10PR with 1.5 bar air pressure Width: 90 cm / 35.5 in</li> <li>23 x 10.50 - 12 10PR with 1.0 bar air pressure Width: 102 cm / 40 in</li> </ul>
Instruments	Speed display with integrated operating hours counter, control lights, and fuel supply display; Multifunction instrument with output of cooling water temperature, hydraulic oil temperature, speed, cruise control, PTO state, as well as menu display for user-specific settings and system data	Wheel base	<ul style="list-style-type: none"> <li>1,325 mm / 4,35 ft</li> </ul>
Hand-arm vibrations	< 2.5 m/s <sup>2</sup> / < 8.2 ft/s <sup>2</sup>	Total length	<ul style="list-style-type: none"> <li>255 cm / 8.4 ft with seat in the standard driving direction</li> <li>225 cm / 7.4 ft with seat in the reverse driving direction</li> </ul>
Whole-body vibrations	< 0.5 m/s <sup>2</sup> / < 1.6 ft/s <sup>2</sup>	Height	<ul style="list-style-type: none"> <li>With low roll bar: 150 cm / 4.9 ft</li> <li>With high roll bar: 190 cm / 6.2 ft</li> </ul>
A-weighted sound pressure level at the driver's seat	<ul style="list-style-type: none"> <li>Vitrac without implements: LAeq = 85,0 dB</li> <li>With mulcher, without load: LAeq = 90.3 dB</li> <li>With sprayer LAeq = 90.7 dB</li> </ul>	Operating temperature	<ul style="list-style-type: none"> <li>-15 °C to +40 °C / 5 °F to 104 °F</li> </ul>
A-weighted sound power level	<ul style="list-style-type: none"> <li>VITRAC without implements: LWA = 102.8 dB(A)</li> <li>With mulcher, without load: LWA = 105.4 dB(A)</li> <li>With sprayer LWA = 108.0 dB(A)</li> </ul>	Turning radius with overall width of 90 cm / 3.0 ft	<ul style="list-style-type: none"> <li>Inner turning radius: 425 mm / 1.4 ft</li> <li>Outer turning radius: 1,325 mm / 4.4 ft</li> </ul>
Electric system	12V 44Ah, light system 33A, CAN bus and 20 electrical outputs/inputs for accessory units		
Fuel tank	20 l / 5.3 gal		
Hydraulic system	25 l / 6.6 gal (type HVLP 46)		

# Dimensions





## Turning radius



# On the tool carrier (1)



Sprayer SP 200-60Q



Sprayer HSQ 200-60



Implement mast



Transportation platform



Dumper skip DPK 540



# Rear mounting area (2)



Linkage



Flail mower SM



Trimmer LSU



Loader bucket



Rotary plough



WM technics GmbH

Plant 1, Headquarters  
Breiener Straße 15  
I-39053 Blumau  
T. +39 0471 353 332  
info@wm-technics.com  
wm-technics.com

Plant 2  
Giuseppe-di-Vittorio-Straße 18  
I-39100 Bozen

Follow us on:

YouTube: *WM Vitrac*  
Facebook: *WM agri*  
Instagram: *WM agri*  
LinkedIn: *WM technics*



